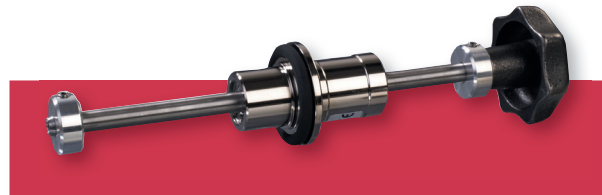


VACUUM BELLOWS & MOVEMENT FEEDTHROUGHS

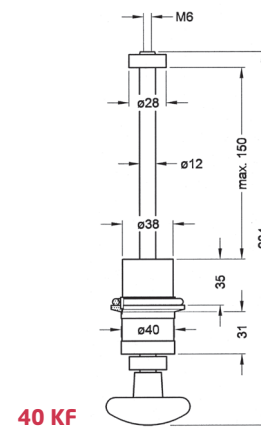
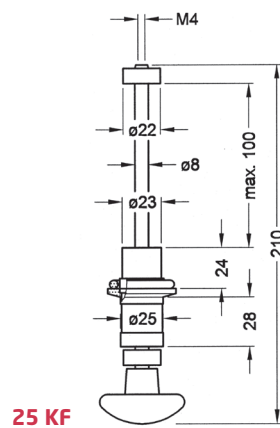
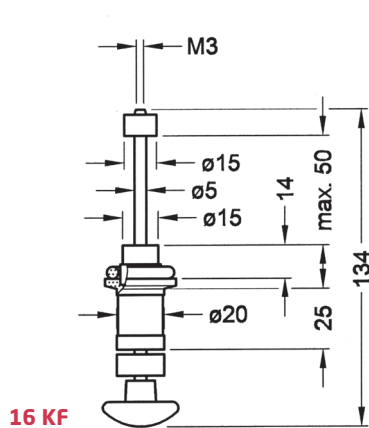
- Rotary/Linear Motion Feedthroughs KF..... K 05

Rotary / Linear Motion Feedthroughs KF

- Two FPM shaft seals
- Direct push/pull and rotary actuation
- With locking ring and optional anti-rotation device



| | UNIT | 16 KF | 25 KF | 40 KF |
|---|------------------------|----------------------------------|------------|-------------|
| Shaft connection | | M 3/Ø 5 mm | M 4/Ø 8 mm | M 6/Ø 12 mm |
| Travel | mm | 50 | 100 | 150 |
| Shaft load: radial force at max.travel torsion torque | N Nm | 10 2 | 15 8 | 30 20 |
| Tightness, static | mbar.l.s ⁻¹ | 1.10 ⁻⁹ | | |
| Pressure | | 1.10 ⁻⁸ mbar to 1 bar | | |
| Operating temperature | °C | 50 | | |
| Bakeout temperature | °C | 110 | | |
| Materials exposed to process media | - | SS 304 Aluminum 6063 | | |





neyco

30 Avenue de la Paix
92170 Vanves - France
Tel: +33(0)1 41 90 50 50
Fax: +33(0)1 41 90 50 51

www.neyco.fr



Vacuum-K- 2013-1

neyco